

### Features

- Low Loss
- High Rejection
- High Isolation

### Description

Surface mount, silver (Ag) coated ceramic duplexer. Developed for use in PCS subscriber and infrastructure applications.

Weight: 3.1 grams typical

Material: Filter is composed of a ceramic block coated with Ag and a shield made of nickel silver plated steel.

Filter complies with RoHS standards.



### Electrical Specifications

Parameter	Frequency (MHz)	Typical @ 25°C	Spec. over -40°C to +85°C
<b>TX to Antenna Response</b>			
Passband Insertion Loss	1850 – 1910	2.6 dB	3.1 dB max
Passband Return Loss @ TX	1850 – 1910	15.0 dB	10.0 dB min
Passband Return Loss @ ANT	1850 – 1910	14.0 dB	10.0 dB min
Passband Ripple	1850 – 1910	1.8 dB	2.6 dB max
Attenuation:	1930 – 1990	47.0 dB	41.5 dB min
<b>Antenna to RX Response</b>			
Passband Insertion Loss	1930 – 1990	3.0 dB	3.6 dB max
Passband Return Loss @ RX	1930 – 1990	13.5 dB	10.0 dB min
Passband Return Loss @ ANT	1930 – 1990	13.5 dB	10.0 dB min
Passband Ripple	1930 – 1990	1.9 dB	2.6 dB max
Attenuation:	1850 – 1910	52.0 dB	48.0 dB min
<b>TX to RX Response</b>			
Rejection @ TX band	1850 – 1910	53.0 dB	50.0 dB min
Rejection @ RX band	1930 – 1990	50.0 dB	44.5 dB min
Power rating			2 Watts max
ESD voltage			1KV max

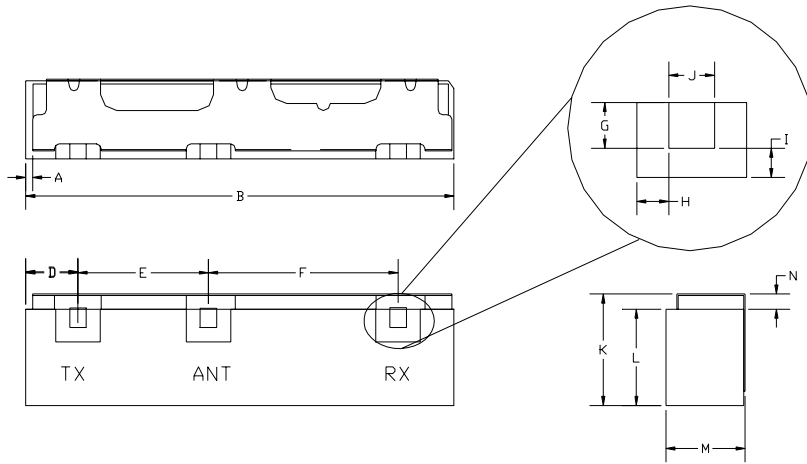
Note: Supplier shall test each filter to the critical electrical specifications of the above table. Any subsequent audits may deviate from in value due to measurement repeatability among different test systems. Such deviations shall not exceed the following limits:

Specification Allowance	
Insertion Loss	0.1 dB
Return Loss	1.0 dB
Stopbands	1.0 dB

\*This product is covered by one or more of the following U.S. and foreign patents including: US 4,692,726;US 4,742,562; US 4,800,348;US 4,829,274;US 5,146,193;EP 0573597;DE 0573597;FR 0573597;JP 508149/92;KR 142171;US 5,162,760;US 5,218,329;US 5,250,916;US 5,327,109;US 5,488,335;CA 2114029;FR 9306297;GB 2273393;JP 3205337;KR 115113;CN 93106228.4;US 5,512,866;EP 0706719;DE 0706719;FR 0706719;GB 0706719;CN 95190359.4;US 5,602,518;US 5,721,520;US 5,745,018;EP 0910875;DE 0910875;DK 0910875;FR 0910875;GB 0910875;IE 0910875;JP 505182/98;KR 10-323013;US 5,994,978;US 6,462,629;CN 00810420.4;US 6,559,735;US 6,650,202;US 6,834,429. Other US and foreign patents pending.

\*CTS Corporation 2006 reserves all copyrights in the layout, design and configuration of the patterns on this product.\*

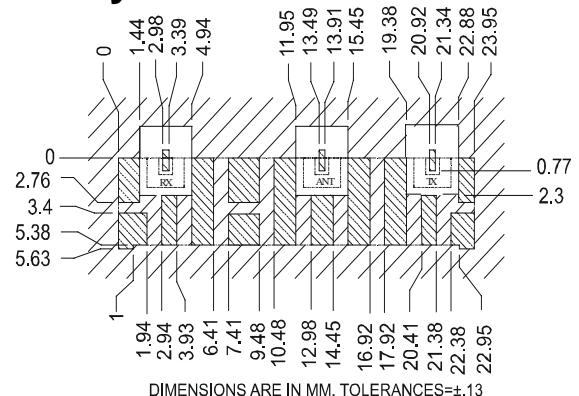
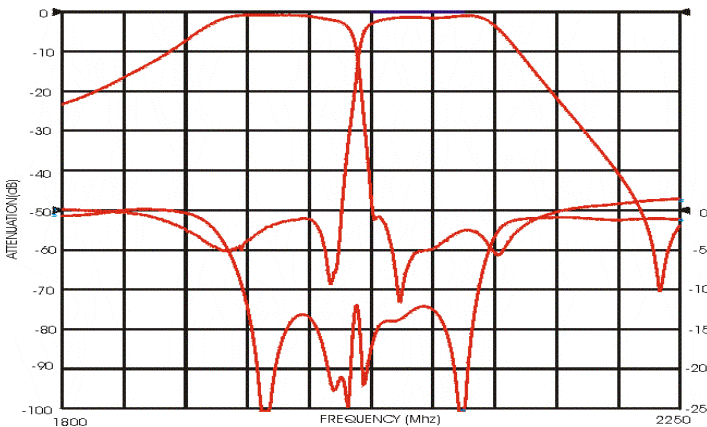
## Mechanical Drawing



Dim	Nominal (mm)	Tolerance (mm) +/- or max
A	0.25	0.25
B	23.93	max
D	2.72	0.25
E	7.44	0.13
F	10.52	0.13
G	1.02	0.13
H	0.79	0.13
I	0.79	0.13
J	0.89	0.13
K	6.55	max
L	5.64	max
M	4.60	max
N	0.84	0.13

## Electrical response

## PCB Layout



## Packaging and Marking

DIMENSION	UNITS	SPECIFICATION
REEL DIAMETER	mm	330
REEL WEIGHT	kg	2.3
REEL QUANTITY	ea.	500

