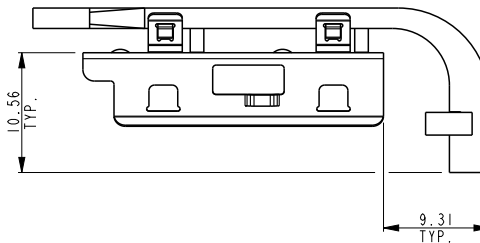
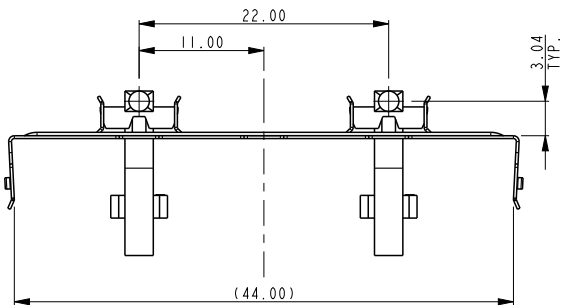
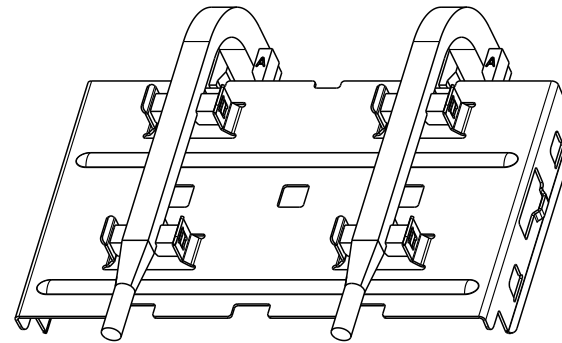
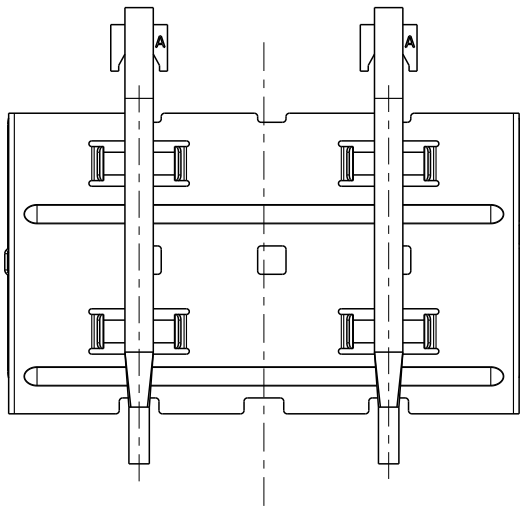


PART NUMBER

10130602-001LF



NOTES:

- MATERIALS:  
LIGHT PIPE CLIP: STAINLESS STEEL  
LIGHT PIPE: POLYCARBONATE
- PRODUCT SPECIFICATION: GS-12-651
- PRODUCT PACKING SPECIFICATION: GS-14-1490
- APPLICATION SPECIFICATION: GS-20-0327
- THIS CONNECTOR IS DESIGNED TO MEET THE REQUIREMENTS OF INDUSTRY SPECIFICATION SFF-8644.
- LIGHT PIPE SUB-ASSEMBLY WITH MOUNTING CLIP ASSEMBLY AFTER EXTERNAL CONNECTOR WITHOUT STOPS APPLIED TO PCB.
- THIS PRODUCT MEETS EUROPEAN UNION DIRECTIVES AND OTHER COUNTRY REGULATIONS AS DESCRIBED IN GS-47-0004.

spec ref		-		dr	Jackbin Zou	2014/07/09	projection	mm	size	A4	scale	3:2	
tolerance std		TOLERANCES UNLESS OTHERWISE SPECIFIED		eng	Jackbin Zou	2014/12/18					ecn no		-
ASME Y14.5				chr	-	-					rel level		Released
surface		linear	0.X	±0.50	appr	Collins Lu	2014/12/18	product family		rev			
ASME Y14.5			angular	0.XX		±0.30			title		10130602		A
				0.XXX	±0.20	www.fci.com		cat. no.		Product - Customer Drw		sheet 1 of 1	
			0°	±3°									

Pro/E File - REV C - 2009-06-09