

## Optocoupler module - UMK- 4 OM-R/PF - 2971551

Please be informed that the data shown in this PDF Document is generated from our Online Catalog. Please find the complete data in the user's documentation. Our General Terms of Use for Downloads are valid (<http://phoenixcontact.com/download>)




Interface module, with plug-in socket for 4 solid-state relays, with security latch, with screw connection, with light indicator and fuse, control logic: minus switching

The illustration shows a version for 4 pluggable digital I/O modules, or SOLID-state relays



### Key commercial data

Packing unit	1 pc
GTIN	 4 017918 088415
Weight per Piece (excluding packing)	193.8 GRM
Custom tariff number	85369010
Country of origin	Germany

### Technical data

#### Dimensions

Width	90 mm
Height	77 mm
Depth	72 mm

#### Ambient conditions

Ambient temperature (operation)	-20 °C ... 55 °C
Ambient temperature (storage/transport)	-20 °C ... 70 °C

#### Input data

Status display/channel	Yellow LED
------------------------	------------

#### Output data

# Optocoupler module - UMK- 4 OM-R/PF - 2971551

## Technical data

### Output data

Limiting continuous current	4 A
Error detection (line break / short-circuit)	no

### General

No. of channels	4
Compatible components	Digital I/O modules
With components	No
Mounting position	any
Assembly instructions	In rows with zero spacing
Housing insulation material	PVC, side panel PA non-reinforced,
Color	green
Standards/regulations	DIN VDE 0110b, Gr. C for 250 V DC
	DIN VDE 0160 (in relevant parts)

### Connection data for connection 1

Connection name	Input
Number of connections	2
Connection method	Screw connection
Number of positions	6
Conductor cross section stranded min.	0.2 mm <sup>2</sup>
Conductor cross section stranded max.	2.5 mm <sup>2</sup>
Conductor cross section solid min.	0.2 mm <sup>2</sup>
Conductor cross section solid max.	4 mm <sup>2</sup>
Conductor cross section AWG/kcmil min.	24
Conductor cross section AWG/kcmil max	12
Screw thread	M3
Stripping length	8 mm

## Classifications

### eCl@ss

eCl@ss 4.0	27371102
eCl@ss 4.1	27371102
eCl@ss 5.0	27371001
eCl@ss 5.1	27371001
eCl@ss 6.0	27371001

# Optocoupler module - UMK- 4 OM-R/PF - 2971551

## Classifications

### ETIM

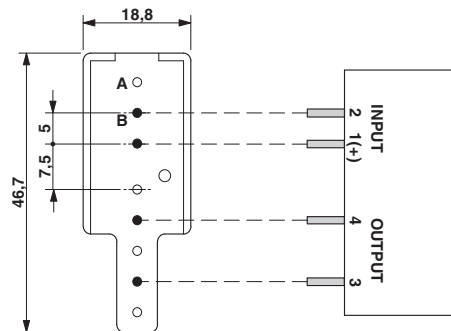
ETIM 2.0	EC001504
ETIM 3.0	EC001504
ETIM 4.0	EC001504
ETIM 5.0	EC001504

### UNSPSC

UNSPSC 6.01	30211916
UNSPSC 7.0901	39121542
UNSPSC 11	39121542
UNSPSC 12.01	39121542
UNSPSC 13.2	39121542

## Drawings

Dimensioned drawing



A = without metal  
 B = with metal

# Optocoupler module - UMK- 4 OM-R/PF - 2971551

Circuit diagram

