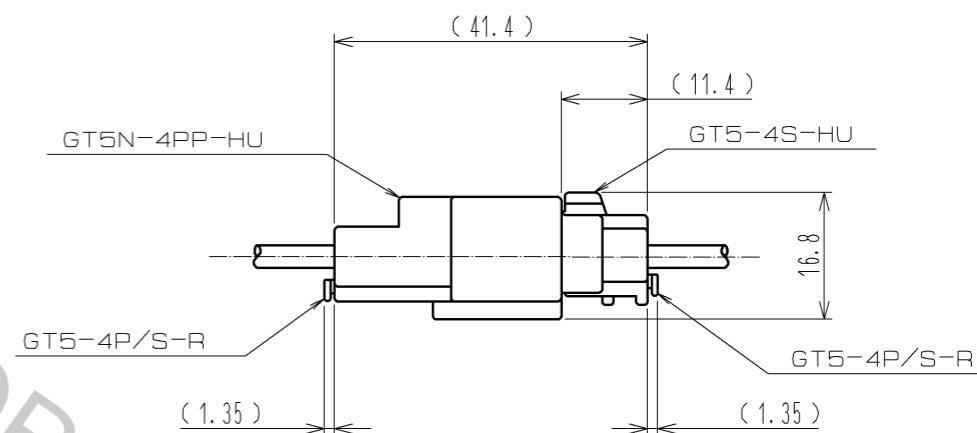
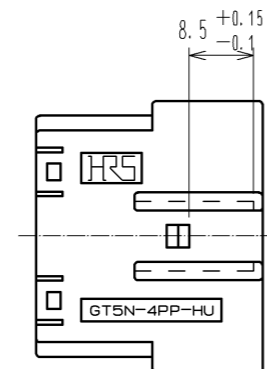
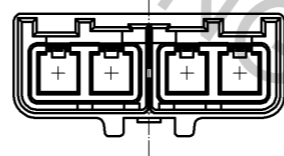
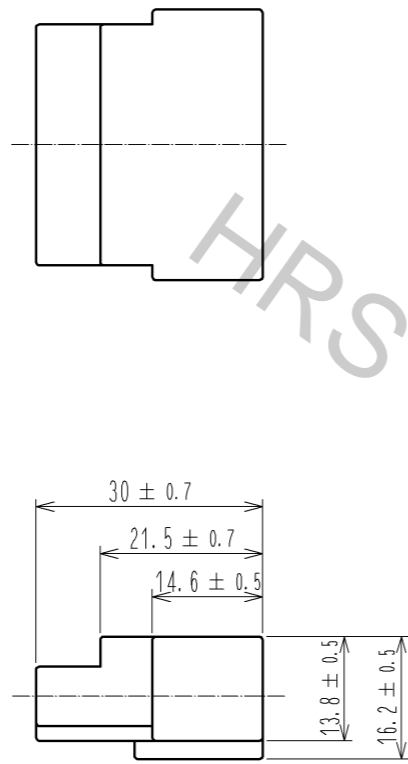
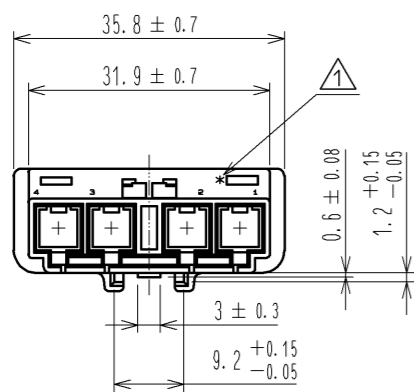


ELV. RoHS COMPLIANT



MATED CONNECTORS

NOTE1. THIS CONNECTOR SHALL BE USED WITH A RETAINER (CL755-0058-6).

NO.		MATERIAL		FINISH . REMARKS		1		PBT		UL94HB, LIGHT GRAY	
UNITS		SCALE		COUNT		DESCRIPTION OF REVISIONS		DESIGNED		CHECKED	
mm		1 : 1		1		DIS-T-000770		MH. YAMAGUCHI		MO. OKADA	
APPROVED		KS. SATOH		05.01.05		DRAWING NO.		EDC3-165451-00			
CHECKED		NH. NAKATA		05.01.05		PART NO.		GT5N-4PP-HU			
DESIGNED		TS. KUBOTA		05.01.05		CODE NO.		CL755-0057-3-00			
DRAWN		MO. OKADA		05.01.05							