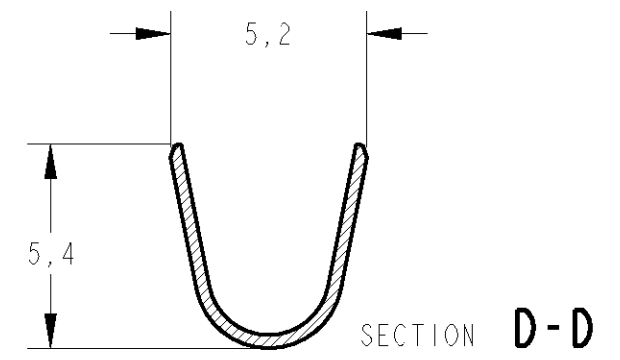
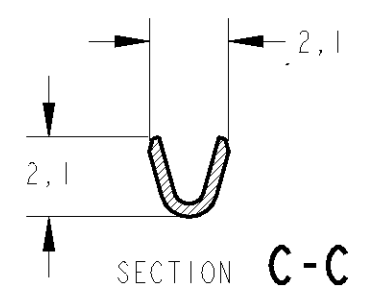
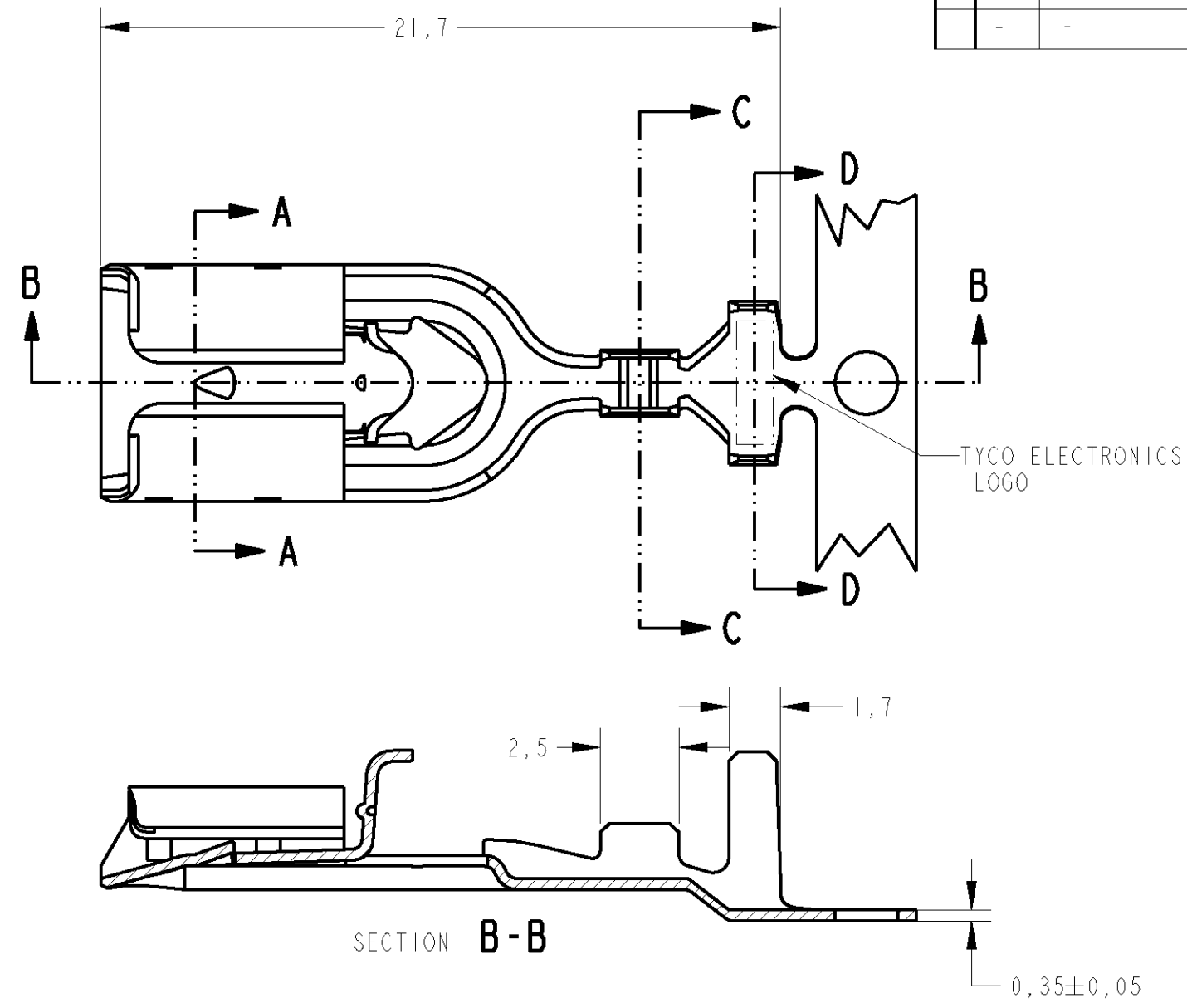
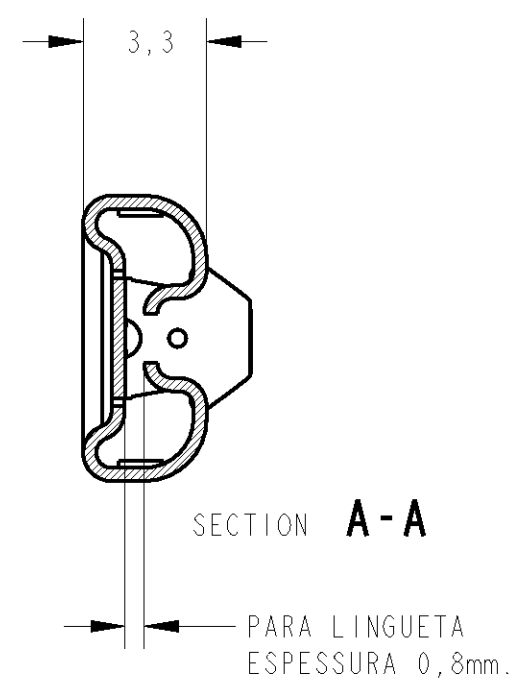


THIS DRAWING IS UNPUBLISHED. RELEASED FOR PUBLICATION  
 © COPYRIGHT 19 BY TYCO ELECTRONICS CORPORATION. ALL RIGHTS RESERVED.

LOC	DIST	REVISIONS			
P	LTR	DESCRIPTION	DATE	DWN	APVD
AP	-	Released	18OCT05	H.C	WLS
		REVISED BY ECO-07-015096	20SEP2007	HC	HC
-	-	-	-	-	-
-	-	-	-	-	-



Ø 3,2mm. MAX.	0,2/0,5mm			
INS. RANGE	WIRE RANGE	FINISH	BRASS/LATÃO	1599720-1
			MATERIAL	PART NUMBER

<small>THIS DRAWING IS A CONTROLLED DOCUMENT FOR TYCO ELECTRONICS CORPORATION. IT IS SUBJECT TO CHANGE AND THE CONTROLLING ENGINEERING ORGANIZATION SHOULD BE CONTACTED FOR THE LATEST REVISION.</small>		DWN 11/aug/2005 H.C. Canteri CHK 11/aug/2005 W.L. Stefani APVD - PRODUCT SPEC - APPLICATION SPEC - WEIGHT -	<b>tyco</b> <b>Electronics</b> TYCO ELECTRONICS do Brasil LTDA São Paulo - Brasil
DIMENSIONS: mm 	TOLERANCES UNLESS OTHERWISE SPECIFIED: 0 PLC ±0,4 1 PLC ±0,4 2 PLC ±0,10 3 PLC ±0,001 4 PLC ±0,000J ANGLES ±1	NAME POSITIVE LOCK REC. MKII .250 SERIES	SIZE A3 CAGE CODE 00779 DRAWING NO. 1599720 RESTRICTED TO -
MATERIAL -	FINISH -	CUSTOMER DRAWING	SCALE 5/1 SHEET 1 OF 1 REV A