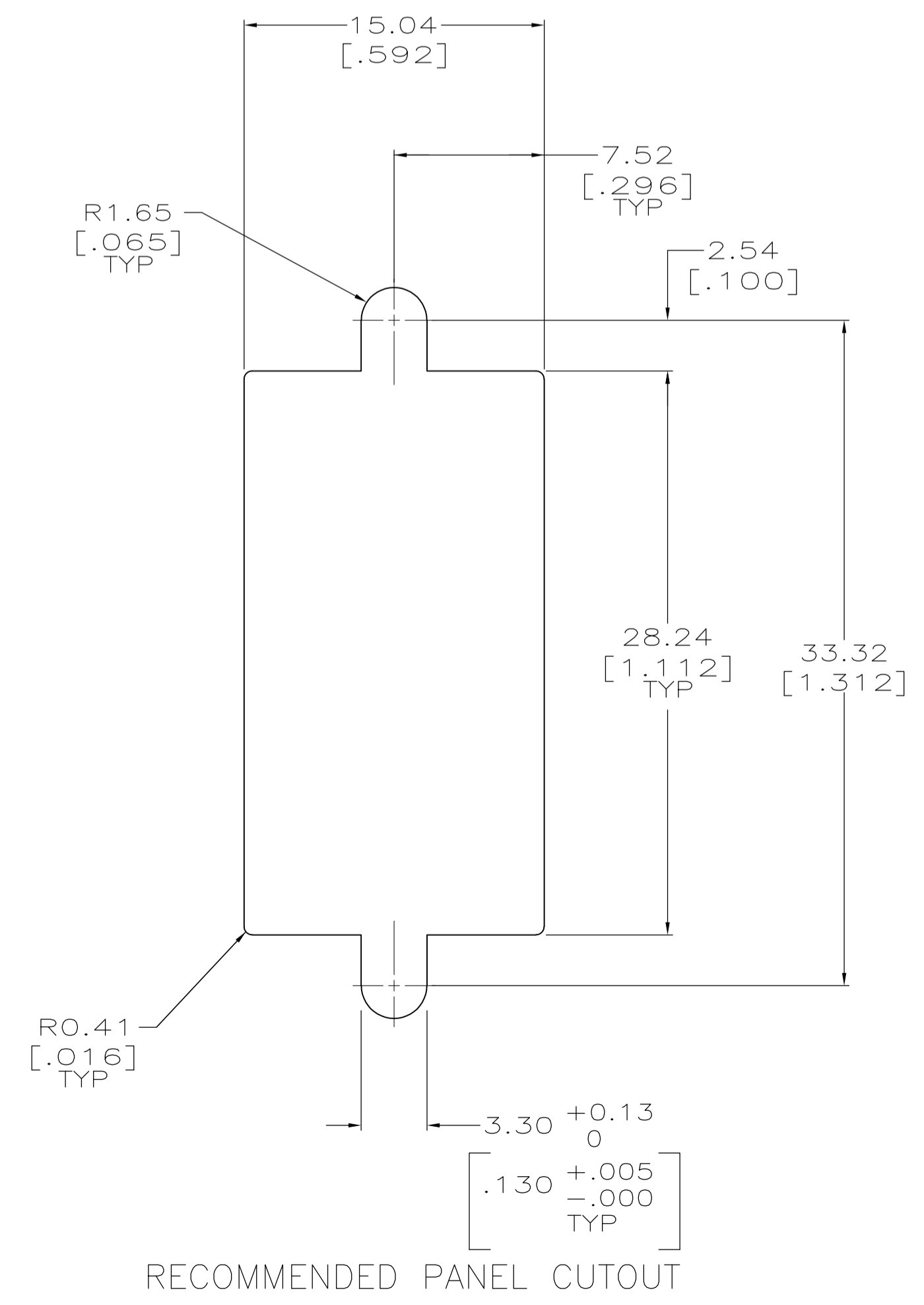
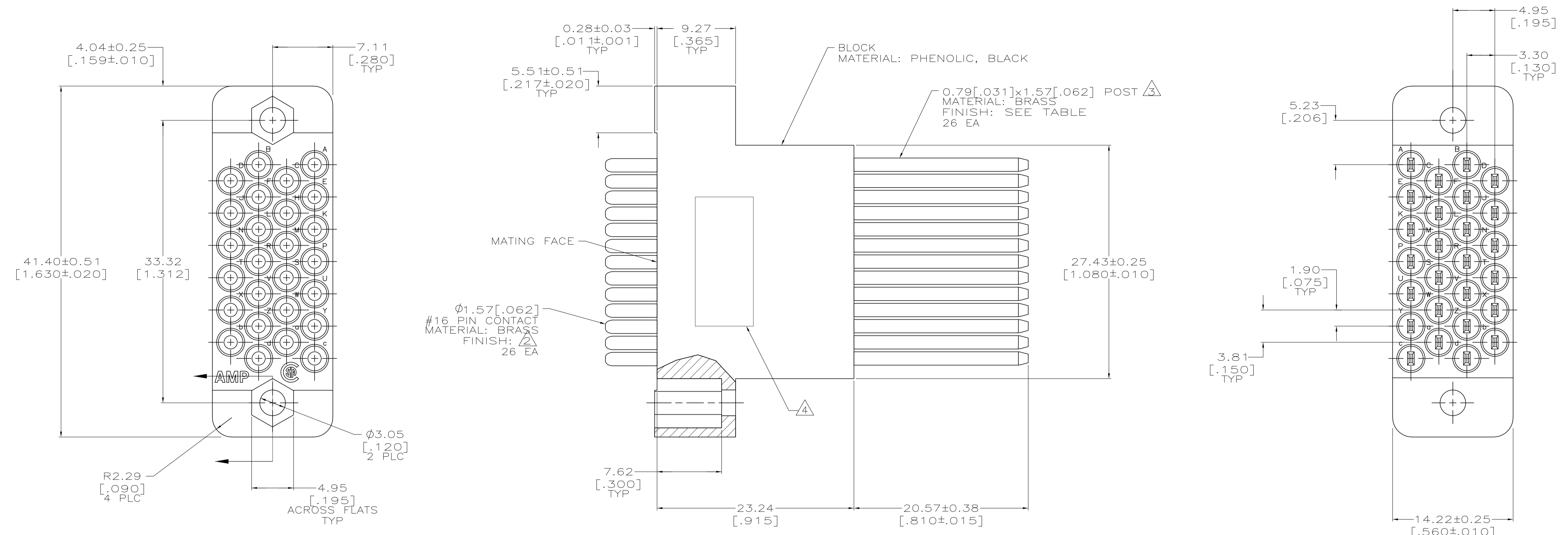


LOC		DIST		REVISIONS			
P	LTR	DESCRIPTION	DATE	DN	APVD		
P		REVISED PER ECO-07-010234	5/2/07	SS	GS		
P1		REVISED PER ECO-09-020935	09SEP09	KK	AEG		



- ⚠ 2.54µm[.000100] MIN TIN-LEAD OVER 1.27µm[.000050] MIN NICKEL.
- ⚠ 0.76µm[.000030] MIN GOLD FOR A DISTANCE OF 5.08[.200] MIN FROM MATING END, GOLD FLASH ON THE REMAINDER, ALL OVER 1.27µm[.000050] MIN NICKEL.
- ⚠ POSTS ARE SEMI AUTOMATICALLY WIREABLE AND WILL ACCOMODATE 3 TERMINATIONS.
- ⚠ AMP, PART NUMBER, DATE CODE AND THE LETTER P MARKED IN THIS AREA.
- 5. #24 AWG MAX WIRE TO BE USED WITH THIS CONNECTOR.
- ⚠ 2.54µm[.000100] MIN TIN OVER 1.27µm[.000050] MIN NICKEL.
- ⚠ OBSOLETE PARTS: OBSOLETE CIS STREAMLINING PER D.RENAUD/D.SINISI

⚠ OBSOLETE	1-205512-7
⚠ OBSOLETE	1-205512-3
POST PLATING	PART NUMBER

THIS DRAWING IS A CONTROLLED DOCUMENT.

DIMENSIONS: mm [INCHES]	TOLERANCES UNLESS OTHERWISE SPECIFIED: 0 PLC ± - 1 PLC ± - 2 PLC ± 0.13 [.005] 3 PLC ± - 4 PLC ± - ANGLES ± -	FINISH SEE CALLOUTS	WEIGHT -	SCALE 4:1	SHEET 1 of 1	REV P1
----------------------------	---	------------------------	-------------	--------------	-----------------	-----------

APPROVED: C. REIFSNYDER 14 FEB 96
 CHK: R. STONE 22 FEB 96
 NAME: M. MCALONIS 22 FEB 96
 PRODUCT SPEC: -
 APPLICATION SPEC: -
 SIZE: A1
 CAGE CODE: 00779
 DRAWING NO: 205512
 RESTRICTED TO: -
 CUSTOMER DRAWING

Tyco Electronics Corporation
 Harrisburg, Pa 17105-3608
 PIN ASSEMBLY, 26 POSITION
 AUTOWIREABLE,
 STANDARD M SERIES