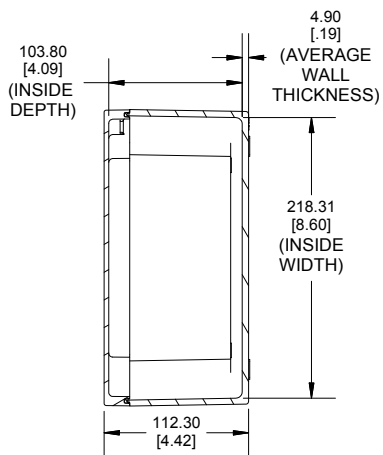
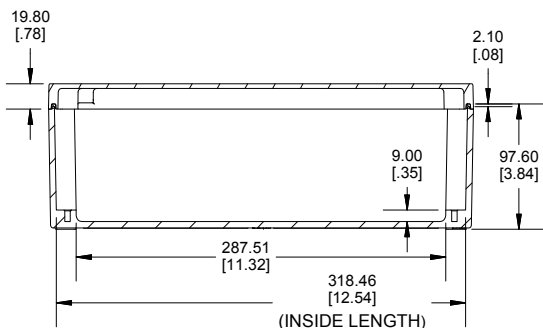


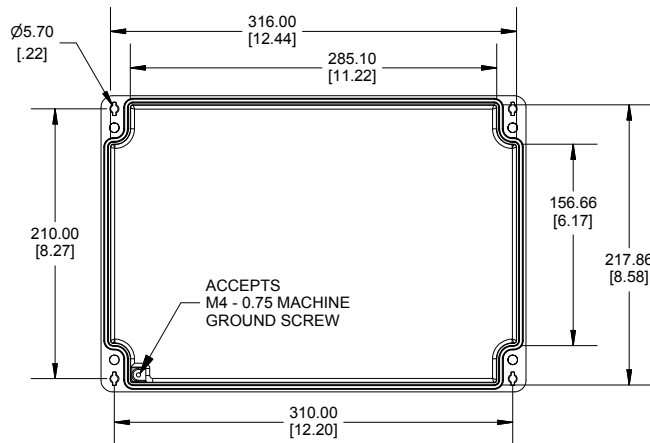
TOP VIEW



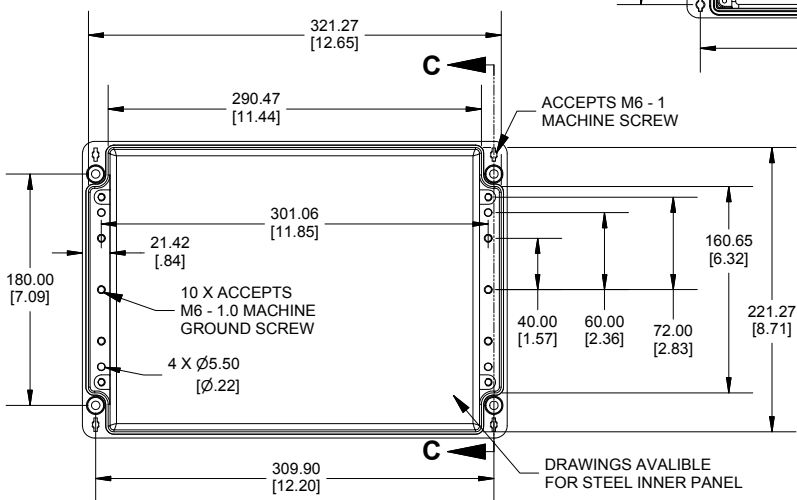
**SECTION A-A
END VIEW**



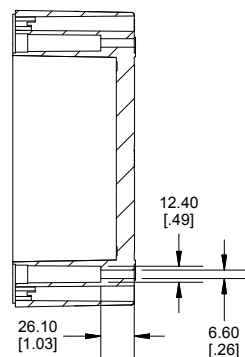
**SECTION B-B
SIDE VIEW**



INSIDE LID



INSIDE BOX



**SECTION C-C
MOUNTING HOLE**

Dimensions:
mm
[inches]



Enclosures can be Factory Modified (Milling, Drilling, Printing etc.)
Contact Factory mjm@hammondmfg.com for quotes
Solid models of this enclosure available in STEP or IGES.
(Part number and text placement/orientation on our products are subject to change,
we do not recommend using them as a locating reference for modification purposes)

NOTE	
Purchased assembly includes box, lid, silicone gasket, 4 cover screws and 4 ground screws with washers. Box and lid are made from Diecast Aluminum Alloy.	
Recommended cover screw Torque 15-17 lbf.in (150 -170 cN.m)	
1590Z235	
1590Z235 Enclosure	
Natural Enclosure	1590Z235
Black Enclosure	1590Z235BK
Grey Enclosure - RAL7001 Gloss	1590Z235GY
ACCESSORIES	
Steel Inner Panel	1590Z235PL
Pre-Formed Silicone Gasket (2 Pack)	1590Z235G
Copper Ground Hardware (20 Pack) [M6 - 1.0 X 10mm / M6 Washer]	SCGM6-20
Stainless Cover screws (20 pkg) [M6 - 1.0 x 24mm]	SC598-20
Copper Ground Hardware For Lid (50 Pack) [M4 - 0.7 X 6mm / M4 Washer]	SCGM4-50

**HAMMOND
MANUFACTURING®**

1590Z235
www.hammondmfg.com